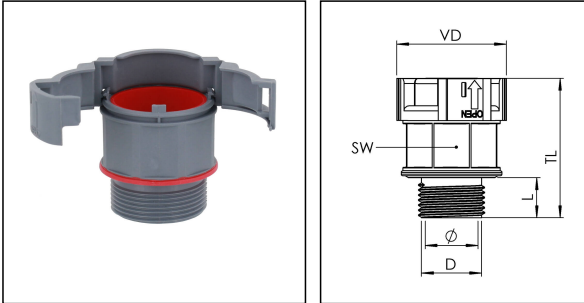


EBFS-29-32-BG

Conduit fitting, straight, non-metallic, RAL 7031, NW 29 / M32



Products may differ in size, colour and appearance to those shown. If you require further information or customisation, please contact us directly.



Material Conduit fitting	polyamide UL94-V0
Material Connection thread	polyamide UL94-V0
Material sealing gasket	TPU
Protection class	IP68, IP66
Temp. range min	-40 °C
Temp. range max	100 °C
Operational areas	EN 45545 - Railway
NW	29
Thread type	M
Ø Connection thread D	32
Lead	1,5
Length screw-in thread L	14 mm
Ø closure VD	46,7 mm
Ø inside	26 mm
Key width SW	41 mm
Total length TL	53 mm
Type of conduit fitting	straight
UL 1696	Yes
Product Color	RAL 7031
Type	EBFS-29-32-BG
Order no. RAL 7031	10106854
Packing unit	10
EAN number	4007686032987
Tariff number	39174000
ETIM-Classification	EC001176

Your Contact:

WISKA Systems Ibérica, S. L.

C/ Roquetes Nave 117 – Pol. Ind. Can Magre · 08187 Sta. Eulalia de Ronçana · Barcelona, España

☎ +34 (93) 844 65 73 · 📠 +34 (93) 844 86 77

contact@wiska.es · www.wiska.es

Remarks:

UL approval only in conjunction with UL approved corrugated conduits

Recommended accessories

BCA-S-29-BG	10107084
BCAV-S-29-BG	10107101
BCIV-S-29-BG	10107117
BCA-29-D-BG	10107131
BCAV-29-D-BG	10107145
BCAB-L-29-BG	10109196
BCAV-H-29-BG	10109212
BCIB-H-29-BG	10109235

03.11.2025

Your Contact:

WISKA Systems Ibérica, S. L.

C/ Roquetes Nave 117 – Pol. Ind. Can Magre · 08187 Sta. Eulalia de Ronçana · Barcelona, España

☎ +34 (93) 844 65 73 · 📠 +34 (93) 844 86 77

contact@wiska.es · www.wiska.es



Your Contact:

WISKA Systems Ibérica, S. L.

C/ Roquetes Nave 117 – Pol. Ind. Can Magre · 08187 Sta. Eulalia de Ronçana · Barcelona, España

☎ +34 (93) 844 65 73 · 📠 +34 (93) 844 86 77

contact@wiska.es · www.wiska.es