

Cam Switch

T-0025000013E1N1



Representative picture

Standards



Quality Telergon SAU

ISO 9001 & 14001



Technical Information

According to IEC 60947-3

Rated thermal current (Ith)	250 A
Rated insulation voltage (Ui)	690 V
Rated impulse withstand voltage (Uimp)	8 kV

AC Rated Operational Current

48 V	DC21A	250 A
------	-------	-------

Rated conditional short-circuit current	15 kA
Rated maximum current (gL-gG)	250 A
Rated breaking capacity (400V; cos φ=0,45)	2000 A
Rated short time withstand current (1 sec)	4400 A
Mechanical durability (according to the standards, for other values please consult)	8000
Rigid copper conductor (mm ²)	120
Flexible copper conductor (mm ²)	120

According to UL 60947-4-1 - CAN / CSA C22.2 N° 14

Rated thermal current (Ith)	200 A
General use rating	600 Vac
AC rated operational power	
3x240V	60 HP
3x480V	75 HP
3x600V	60 HP

Normal Service Conditions:

Ambient air temperature (°C) : -5°...+40°.
 Maximum altitude: 2.000 m. Maximum humidity: 90%.
 Pollution degree: 3 (standard for industrial applications).
 Rated frequency at AC utilization categories: 50/60 Hz.
 Rated duties at utilization categories AC21A, AC22A and AC23A: Continuing (8 hours); uninterrupted.

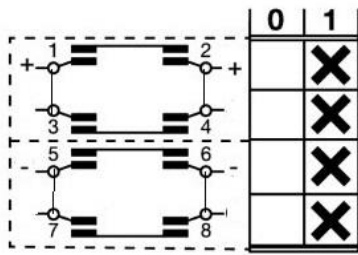
You can find detailed information about our products at www.telergon.com



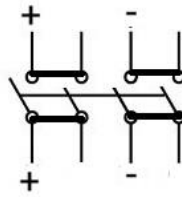
Cam Switch
T-0025000013E1N1

TELERGON, SAU
Data subject to change without
notice (printed: 21/04/2026)

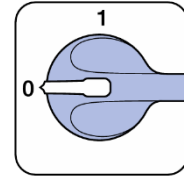
Diagram, Connection & Positions



Scheme

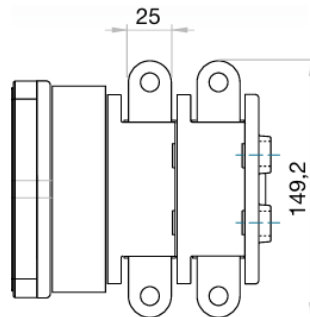
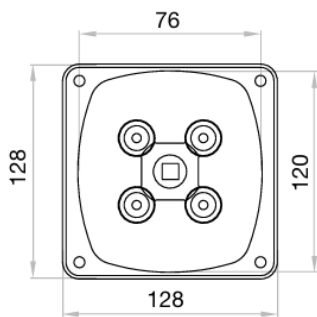
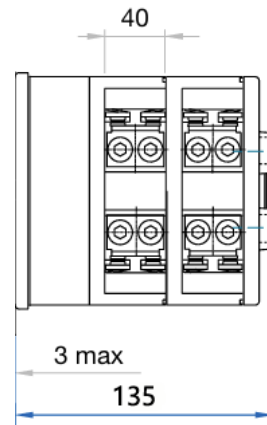
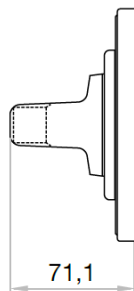
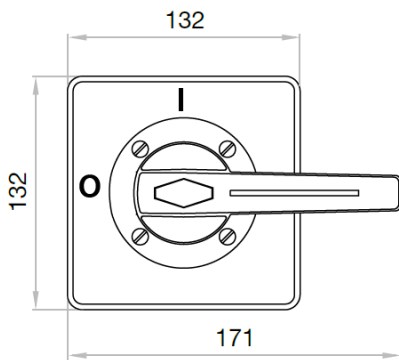


Connections

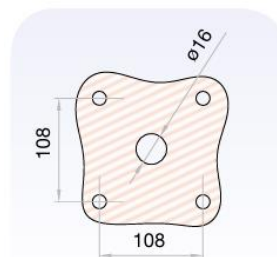


Connection & Positions

Dimensions



Frontal fixing
with 4 screws



You can find detailed information about our products at www.telergon.com



Cam Switch
T-0025000013E1N1

TELERGON, SAU
Data subject to change without
notice (printed: 21/04/2026)